



Specializing in Products for the Post Frame Industry

THE INDUSTRY'S LEADING SUPPLIER OF SLIDE FRAME COMPONENTS

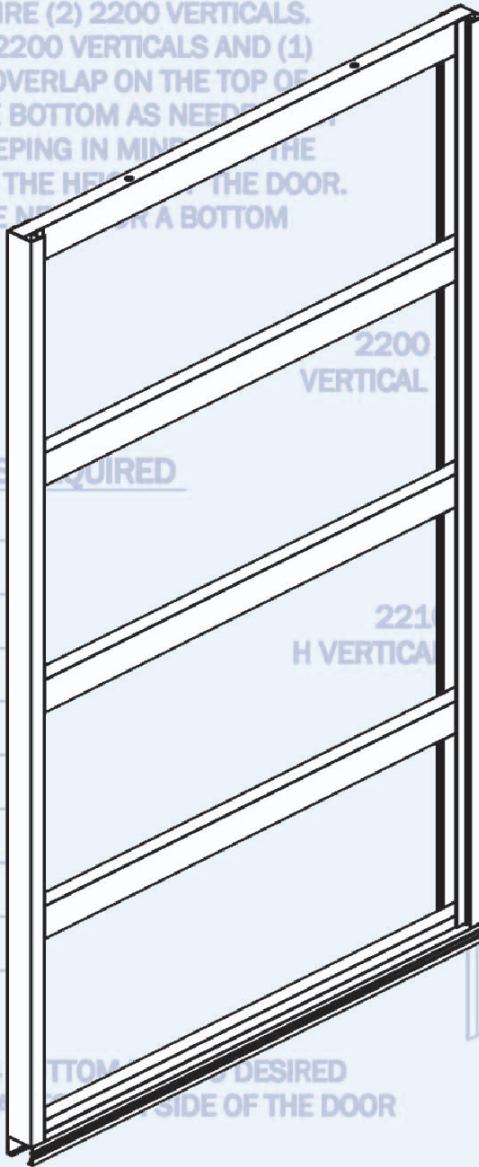
www.mwicomponents.com

Spencer, Iowa

① SINGLE LEAF SLIDER DOORS REQUIRE (2) 2200 VERTICALS. FOR A SPLIT SLIDER DOOR, USE (3) 2200 VERTICALS AND (1) 2216 H RAIL. ALLOW FOR A MIN 1" OVERLAP ON THE TOP OF ROUGH OPENING AND OVERLAP THE BOTTOM AS NEEDED. CUT VERTICALS TO PROPER LENGTH, KEEPING IN MIND THE 2244 BOTTOM RAIL WILL ADD 2" TO THE HEIGHT OF THE DOOR. 2244 BOTTOM RAIL ELIMINATES THE NEED FOR A BOTTOM STEEL HORIZONTAL.

SINGLE DOOR LEAF NUMBER OF STEEL HORIZONTALS REQUIRED

DOOR HEIGHT	# OF HORZ.
8'	4
10'	5
12'	6
14'	7
16'	8
18'	9
20'	10



② CUT STEEL HORIZONTALS AND 2244 BOTTOM RAIL TO DESIRED LENGTH. ALLOW A MIN OF 2" OVERLAP ON TOP AND BOTTOM SIDE OF THE DOOR ROUGH OPENING.

③ Two distinct 1 1/2" profiles for wood/metal and all metal framed slide doors

FOR REFERENCE, YOU WILL DRILL A 3/8" HOLE THE SPECIFIED DISTANCE FROM EACH END OF YOUR TOP HORIZONTAL.

• COLOR MATCHED •

Over 27 powder coat colors for exact match to most rollformers metal siding.

• JOB PACKED •

No minimum order to buy - job pack all of your color coordinated doors at one low price. Or stock your most popular colors for even greater savings!

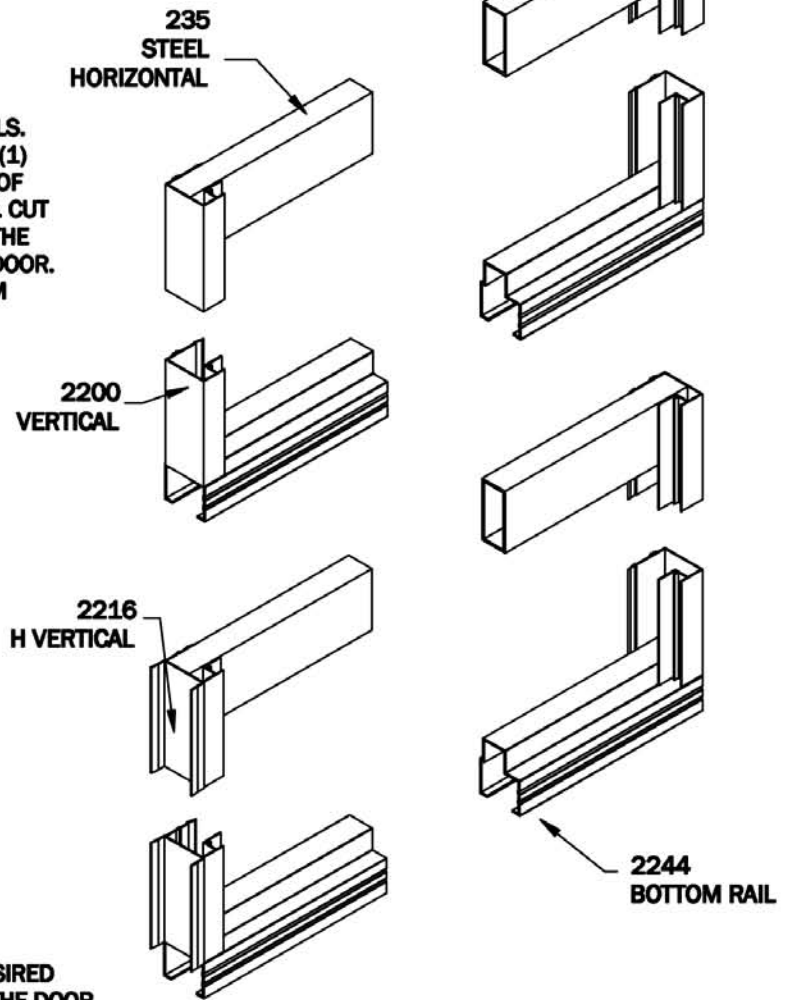
• AVAILABILITY •

Quick lead time, 5 - 10 business days in weekly route truck delivery zones.

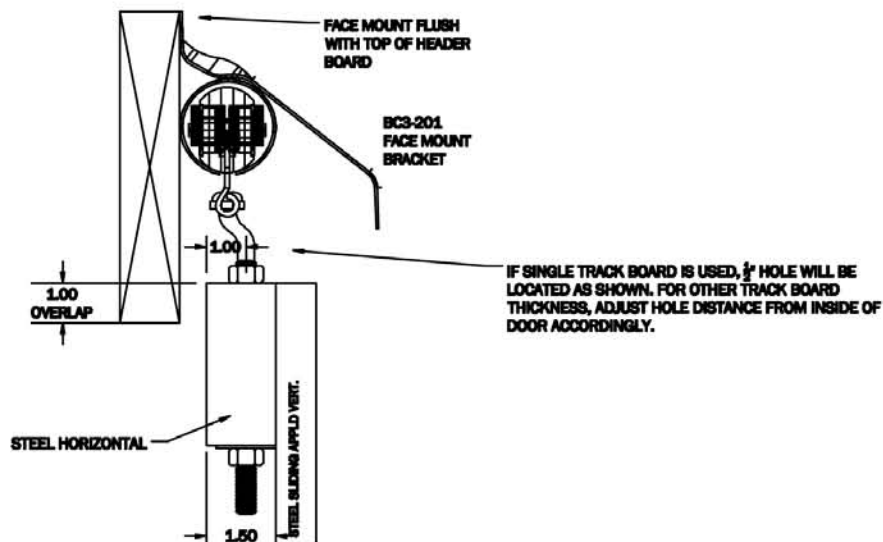
- ① SINGLE LEAF SLIDING DOORS REQUIRE (2) 2200 VERTICALS. FOR A SPLIT SLIDER DOOR, USE (3) 2200 VERTICALS AND (1) 2216 H RAIL. ALLOW FOR A MIN 1' OVERLAP ON THE TOP OF ROUGH OPENING AND OVERLAP THE BOTTOM AS NEEDED. CUT VERTICALS TO PROPER LENGTH, KEEPING IN MIND THAT THE 2244 BOTTOM RAIL WILL ADD 2" TO THE HEIGHT OF THE DOOR. 2244 BOTTOM RAIL ELIMINATES THE NEED FOR A BOTTOM STEEL HORIZONTAL.

**SINGLE DOOR LEAF
NUMBER OF STEEL HORIZONTALS REQUIRED**

DOOR HEIGHT	# OF HORIZ.
8'	4
10'	5
12'	6
14'	7
16'	8
18'	9
20'	10

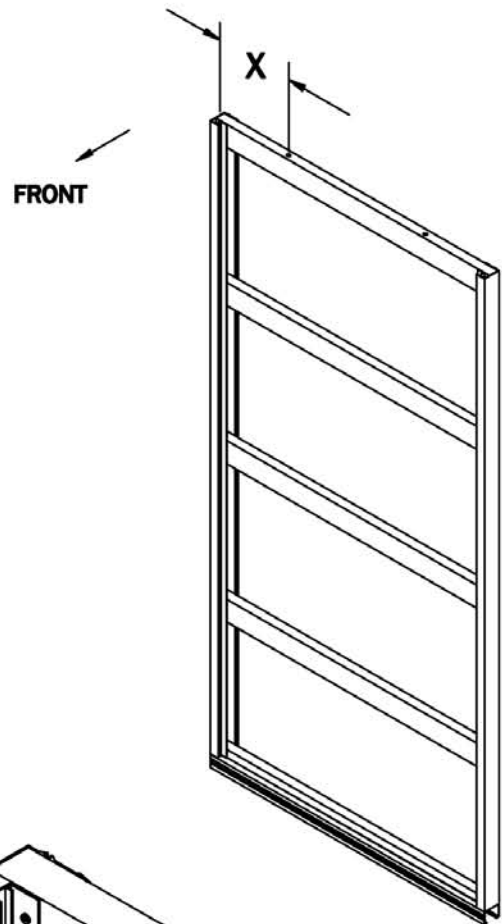


- ② CUT STEEL HORIZONTALS AND 2244 BOTTOM RAIL TO DESIRED LENGTH. ALLOW A MIN OF 2" OVERLAP TO EACH SIDE OF THE DOOR ROUGH OPENING.
- ③ ONE OF THE HORIZONTALS YOU CUT WILL BECOME THE TOP HORIZONTAL. USING THE TABLE ON PAGE 2 FOR REFERENCE, YOU WILL DRILL A $\frac{1}{2}$ " HOLE THE SPECIFIED DISTANCE FROM EACH END OF YOUR TOP HORIZONTAL.



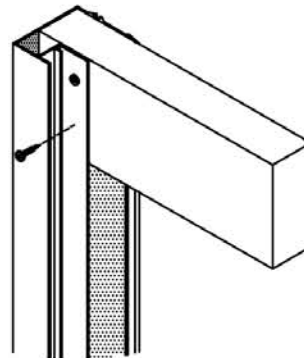
TROLLEY MOUNTING HOLE PLACEMENT

DOOR WIDTH	HOLE DISTANCE FROM EDGE (X)
4'-5'	8"
6'-7'	12"
8'-10'	18"
11'-12'	24"
13'-15'	30"
16'-18'	42"
19'-20'	48"



- ④ LAY THE VERTICALS FACE DOWN AND SLIDE TOP HORIZONTAL AND BOTTOM RAIL INTO PLACE, MAKING SURE THEY ARE FULLY ENGAGED INTO VERTICALS. FASTEN WITH (1) #10X $\frac{3}{8}$ " SELF TAPPING SCREW (PART#T8004000L) IN EACH END.

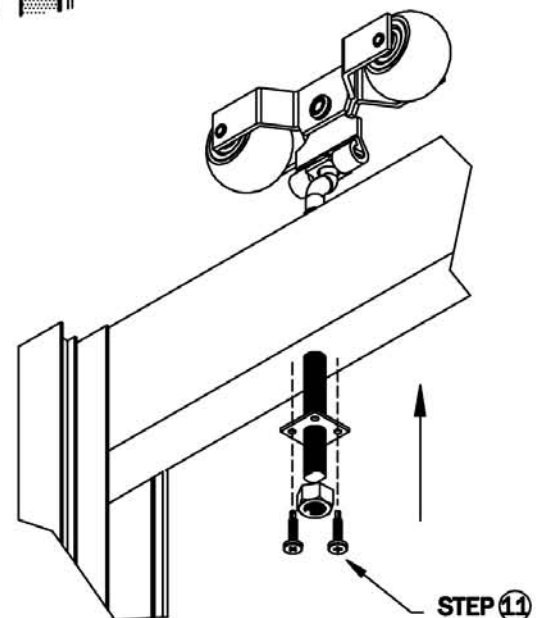
- ⑤ POSITION THE REST OF THE HORIZONTALS, FULLY ENGAGED, INTO THE VERTICALS 24" ON CENTER. CHECK FOR SQUARENESS BEFORE FASTENING TO VERTICALS. USE (2) #10X $\frac{3}{8}$ " SELF TAPPERS PER HORIZONTAL PER SIDE



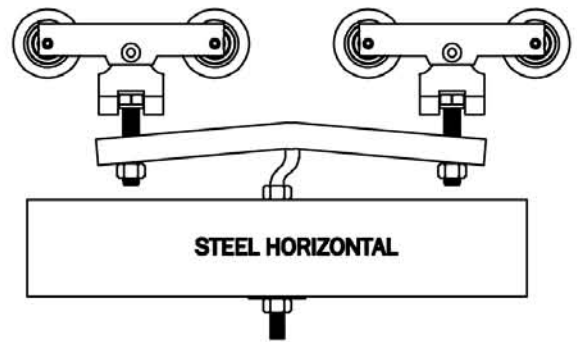
- ⑥ FLIP DOOR OVER SO FRONT IS NOW FACING UP. RECHECK FOR SQUARENESS. ENSURE THAT EACH BOX GIRT IS PUSHED TIGHTLY INTO THE VERTICALS AND ATTACH USING (2) #10X $\frac{3}{8}$ " SELF TAPPERS TO VERTICALS.

- ⑦ ATTACH SHEET STEEL AND/OR ANY DESIRED TRIM PIECES TO DOOR.

- ⑧ ATTACH TROLLEYS THROUGH THE $\frac{1}{2}$ " HOLES DRILLED INTO TOP LATERAL. TIGHTEN LOCK WASHER AND NUT UP TO TOP LATERAL.

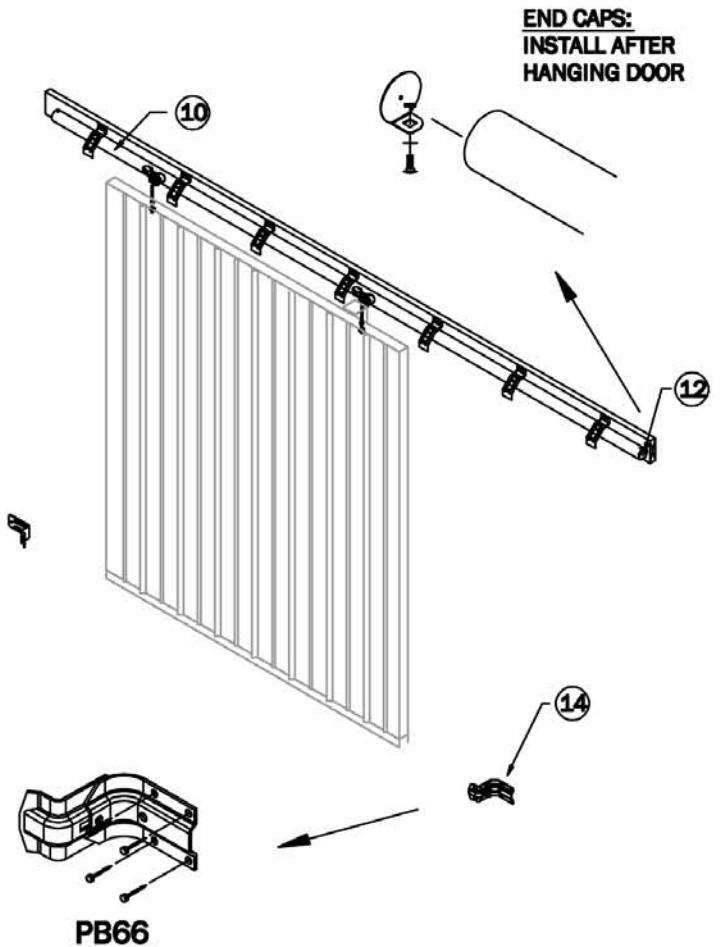


- ⑨ MAKE INITIAL ADJUSTMENT OF TROLLEYS TO POSITION THE DOOR AS FAR OUT FROM THE BUILDING AS POSSIBLE. THE FINAL ADJUSTMENTS WILL BE MADE AFTER THE DOOR IS SAFELY HUNG IN THE TRACK. FOR DOORS OVER 450LBS USE A DT201 KIT TO CONVERT (2) TROLLEYS INTO A DOUBLE TROLLEY. A DT201 KIT WILL DOUBLE THE WEIGHT CAPACITY OF THE TRACK BY DISBURSING THE WEIGHT OF THE DOOR INTO (2) TROLLEYS.

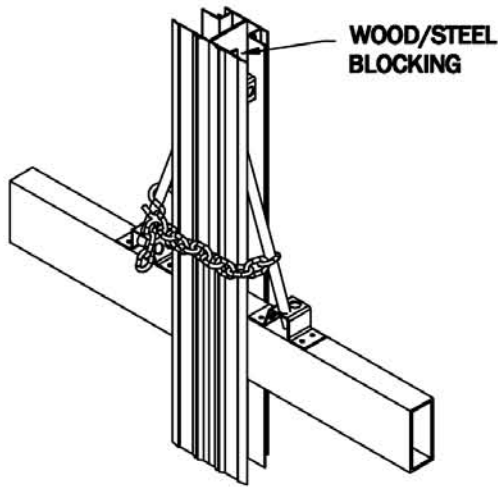


- ⑩ INSTALL A LENGTH OF DOOR TRACK DOUBLE THE DOOR OPENING WIDTH. MAKE SURE TRACK IS MOUNTED STRAIGHT AND LEVEL.
- ⑪ POSITION DOOR BENEATH ONE END OF TRACK AND LIFT VERTICALLY TO INSERT FIRST TROLLEY INTO TRACK. SLIDE FORWARD UNTIL SECOND TROLLEY ENTERS TRACK. USE TROLLEY HANGER ADJUSTMENTS TO MOVE DOOR UP, DOWN, IN OR OUT. FASTEN ADJUSTMENT WASHER INTO TOP HORIZONTAL USING (2) #10X $\frac{3}{8}$ " SELF TAPPERS AS SHOWN ON PAGE 2.

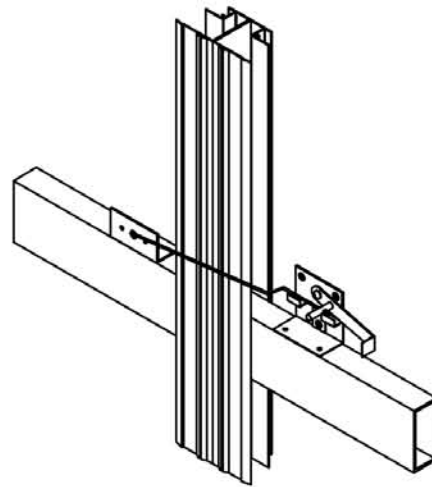
- ⑫ ADD END CAPS TO EACH END OF TRACK. END CAPS ARE NOT DESIGNED TO BE A DOOR STOP.
- ⑬ IF DESIRED, INSTALL TRACK COVER AND COVER END TRIM.
- ⑭ MOUNT ONE PB66 ADJUSTABLE DOOR STOP AT EACH END OF THE TRACK.



- ⑮ USE A CHAIN SNUGGER OR CENTER LATCH TO HOLD DOOR(S) CLOSED. THE MOST POPULAR WAY TO INSTALL EACH IS SHOWN BELOW.

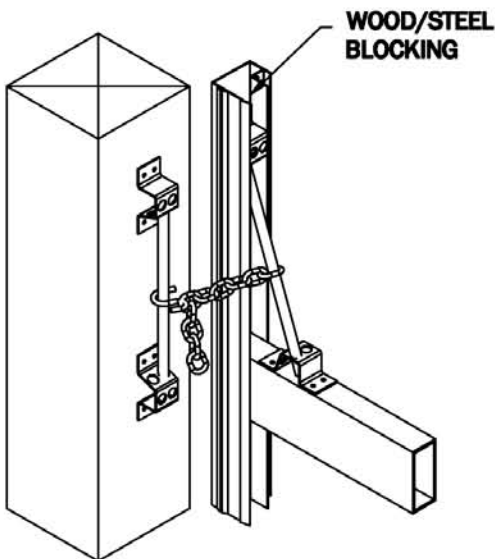


CHAIN SNUGGER
PB127S

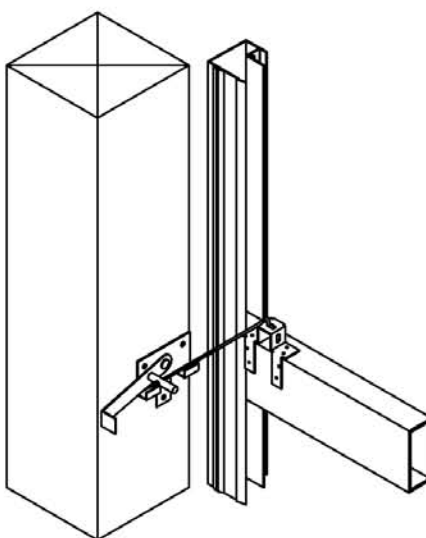


CENTER LATCH
PB128

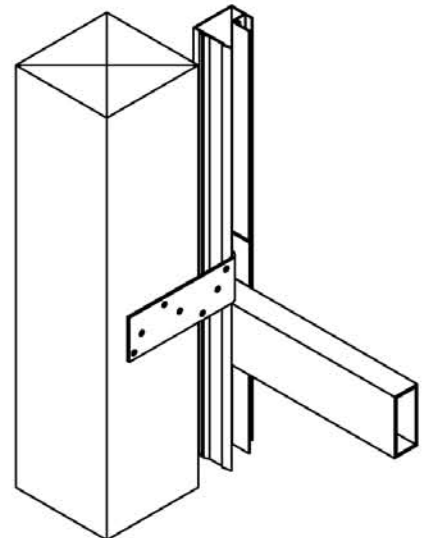
- ⑯ INSTALL A LATCH AT THE JAMB. A CHAIN SNUGGER, JAMB LATCH OR A JAMB STOP ARE THE BEST OPTIONS. THE MOST POPULAR WAY TO INSTALL EACH IS SHOWN BELOW.



CHAIN SNUGGER
PB127S



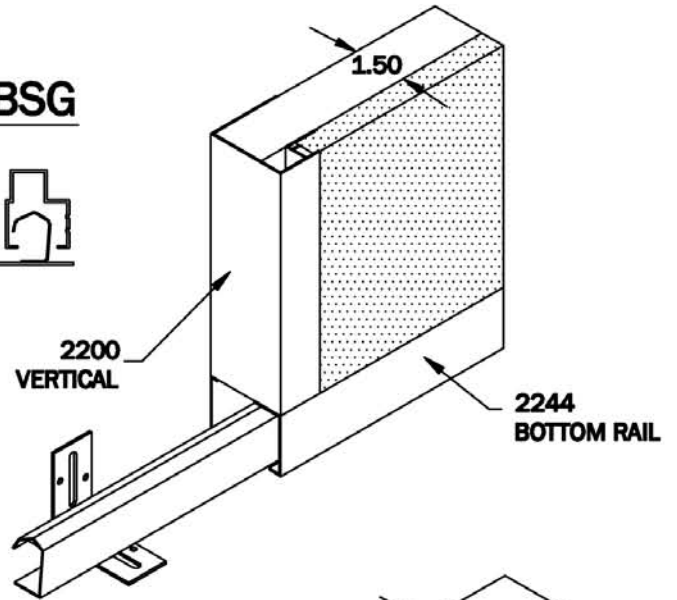
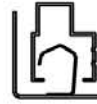
JAMB LATCH
PB121



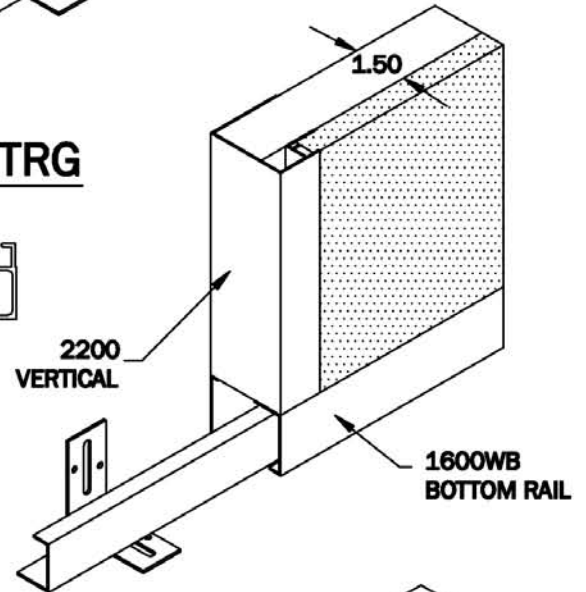
JAMB STOP
PB63

- 17 TO INSTALL BOTTOM DOOR GUIDE RAIL, ROLL DOOR PANEL SO THE OPENING OF THE DOOR IS ENTIRELY CLOSED. SPLIT DOORS SHOULD MEET AT THE CENTER OF DOOR OPENING.
- 18 USE A RAIL WITH A LENGTH OF AT LEAST ONE HALF OF THE DOOR PANEL WIDTH.
- 19 WITH APPROXIMATELY 2" OF GUIDE RAIL CENTERED IN THE BOTTOM RAIL OF THE DOOR, ATTACH GUIDE RAIL TO MOUNTING BRACKETS WITH FASTENERS PROVIDED. DO NOT FULLY TIGHTEN BOLTS AT THIS TIME.
- 20 USING FASTENERS PROVIDED, FASTEN THE FIRST MOUNTING BRACKET TO THE BASE BOARD OF THE BUILDING. ROLL THE DOOR OPEN UNTIL IT REACHES THE LAST MOUNTING BRACKET. FASTEN LAST BRACKET TO BUILDING BASE BOARD, MAKING SURE THAT DOOR IS CENTERED. REPEAT FOR CENTER MOUNTING BRACKET IF REQUIRED.
- 21 CHECK DOOR TO MAKE SURE IT SLIDES WITHOUT RUBBING, THEN SECURELY FASTEN ALL FASTENERS IN BRACKETS AND RAIL.
- 22 SECURE SPLIT DOORS USING A BC85 OR BC76 CENTER DOOR GUIDE. INSTALL ON TOP OF A 6"X6" WOOD POST DRIVEN INTO THE GROUND.

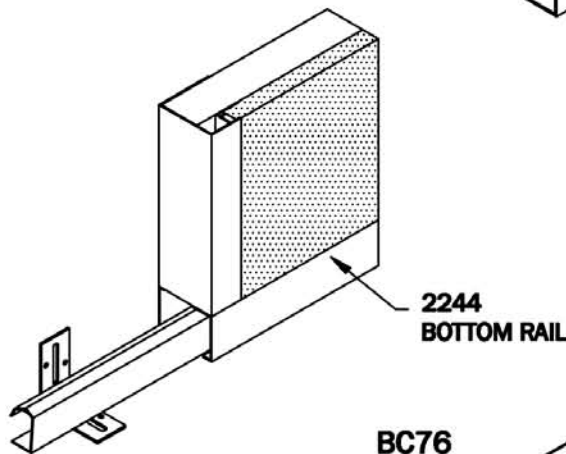
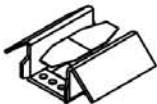
TBSG



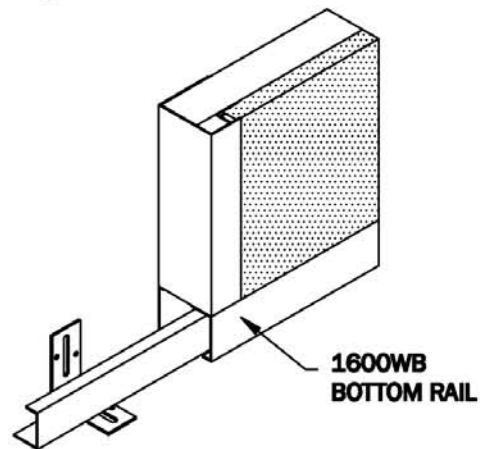
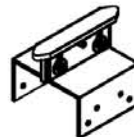
TRG



BC85



BC76

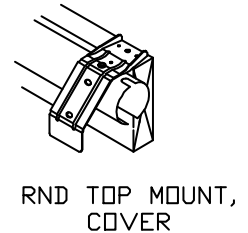
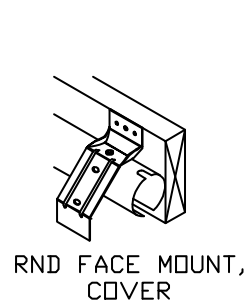
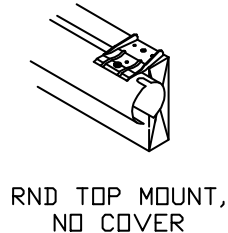
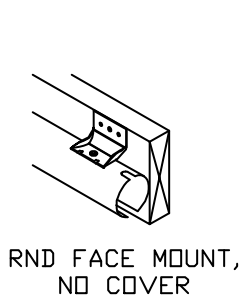
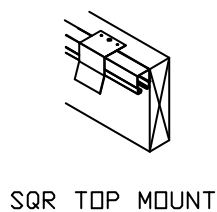
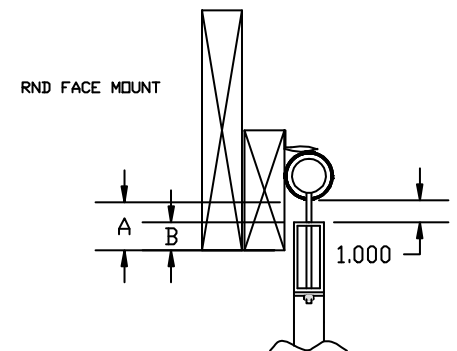
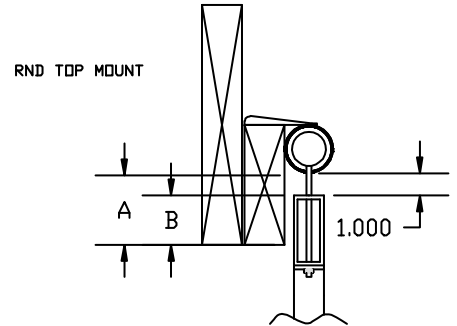
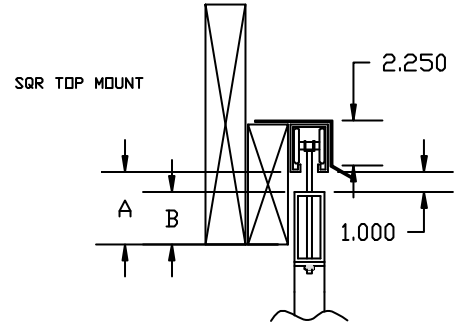




SLIDING DOOR
TRACK INSTRUCTIONS
MANUFACTURED BY METAL WORKS, INC.

1. FRAME OPENING 6" NARROWER THAN NOMINAL WIDTH OF DOOR.
2. BOTTOM OF TRACK BOARD SHOULD BE FLUSH WITH BOTTOM OF HEADER.

TRACK STYLE	A BOTTOM OF TRACK TO BOTTOM OF TRACK BOARD (ASSUMES 2X6 TRACK BOARD)	B TOP OF DOOR TO BOTTOM OF TRACK BOARD (ASSUMES 2X6 TRACK BOARD)
SQR TOP MOUNT	3.125	2.125
RND FACE MOUNT	2.125	1.125
RND TOP MOUNT	3.063	2.063
RND FACE MOUNT, W/ COVER	2	1
RND TOP MOUNT, W/ COVER	3.063	2.063



3. ATTACH GUIDE RAIL BRACKETS TO GUIDE RAIL LOOSELY WITH $\frac{3}{8}$ " X $\frac{3}{4}$ " BOLTS. ALIGN END OF GUIDE RAIL. FASTEN GUIDE RAIL BRACKETS TO THE GRADEBOARD WITH $\frac{5}{16}$ " CARRIAGE BOLTS OR $\frac{3}{8}$ " LAGS. HOLD BOTTOM OF GUIDE RAIL APPROX. $\frac{1}{4}$ " BELOW BOTTOM OF DOOR.

