



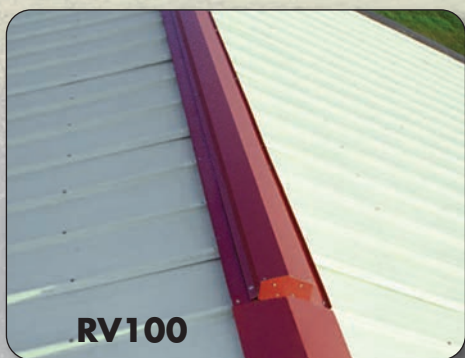
BUILT FOR POST FRAME

**THE INDUSTRY'S LEADING MANUFACTURER  
OF NATURAL VENTILATION PRODUCTS**

www.mwicomponents.com  
Spencer, Iowa



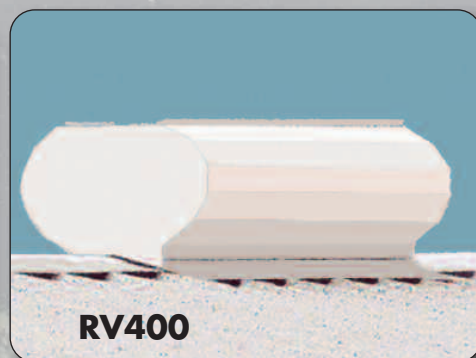
RV35/RV35F



RV100



RV25



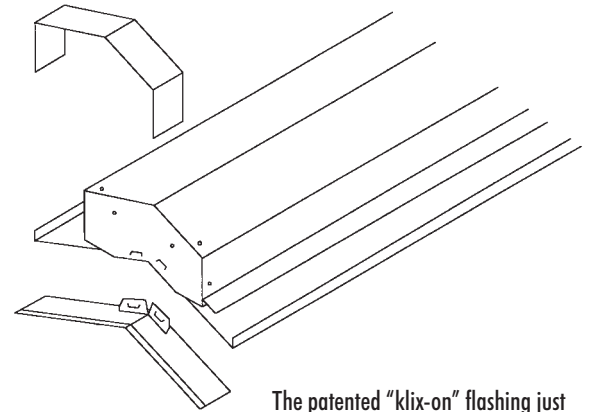
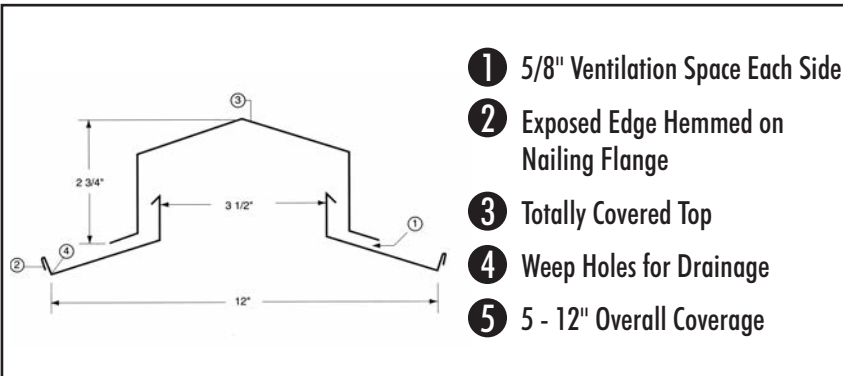
RV400

- We offer a large color palette to match most roll formers metal panels
- All metal edges are hemmed for strength and easier handling
- No raw metal edges, you'll never have red rust staining your roof
- Use MWI ventilation worksheet to determine proper quantity of vents for either an attic or entire building ventilation system
- Over 100 colors available

# RV100

## Economy Ridg-Vent®

10' long low profile ventilator

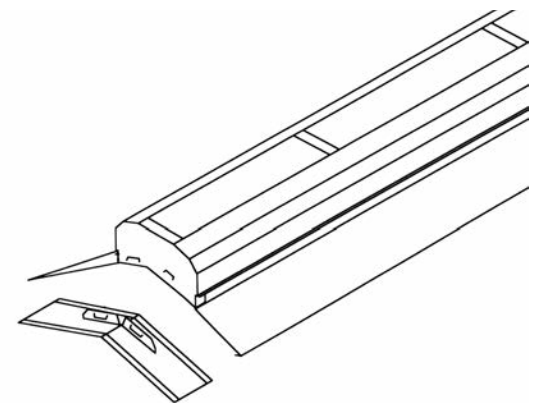
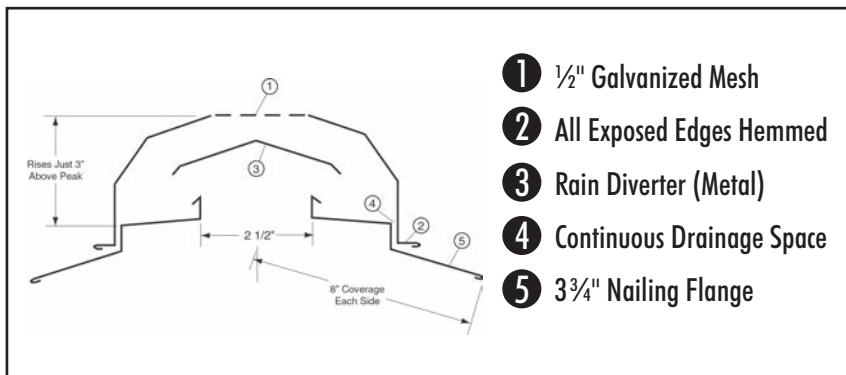


- Easily installed on residential or commercial roofing jobs, ideal for attic ventilation on garages, mini storage, etc
- 3 1/2" unrestricted throat with 15 sq. inches of free area per lineal foot with totally covered top
- Designed to exhaust air out of attic space or an entire building, recommended to be used in a "clean" environment
- Use in conjunction with an equal area of vented soffit material or louvers for maximum air flow (15 sq in per lineal foot, 1.04 sq ft per vent)
- Shipped 2 per carton with flashing for individual or continuous runs, with splice plate included

# RV25

## Ridg-Vent®

10' long low profile ventilator



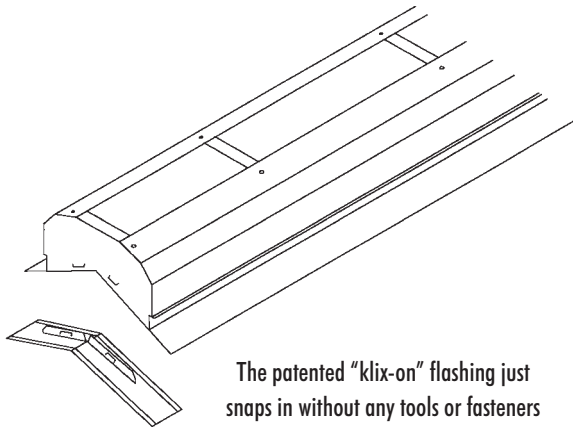
- Rises only 3" above the ridge, all metal edges are hemmed for strength and easier handling
- 2 1/2" unrestricted throat with 30 sq. inches of free area per lineal foot
- Designed to exhaust air out of attic space or an entire building
- Use in conjunction with an equal area of vented soffit material or louvers for maximum air flow (30 sq in per lineal foot, 2.1 sq ft per vent)
- Individually packaged with flashing included, same flashing used for individual or continuous runs



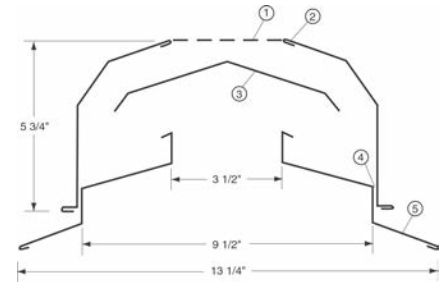
# RV35

Ridg-Vent®

10' long low profile ventilator

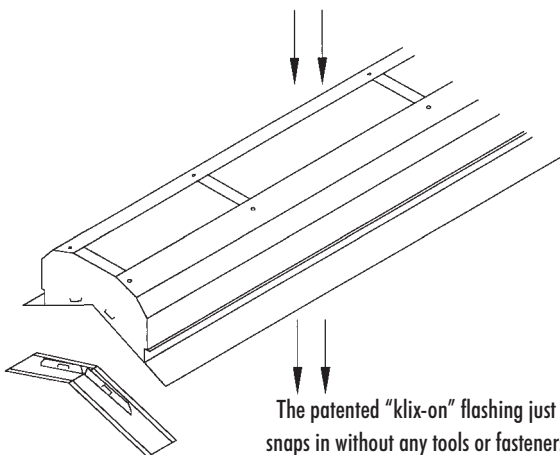


- 1 1/2" Galvanized Mesh
- 2 All Exposed Edges Hemmed
- 3 Rain Diverter (Metal)
- 4 Continuous Drainage Space
- 5 2" Nailing Flange



- Ideal for large attic or entire building ventilation such as horse, cattle or poultry buildings
- 3 1/2" unrestricted throat with 36 sq. inches of free area per lineal foot
- 13 1/4" overall coverage, with wider flanges available
- Rises only 4 1/2" above the ridge, all metal edges are hemmed for strength and easier handling
- Use in conjunction with an equal area of vented soffit material or louvers for maximum air flow (36 sq in per lineal foot, 2.5 sq ft per vent)
- Individually packaged with flashing included, same flashing used for individual or continuous runs

Built in Skylight lets natural light into attic or building

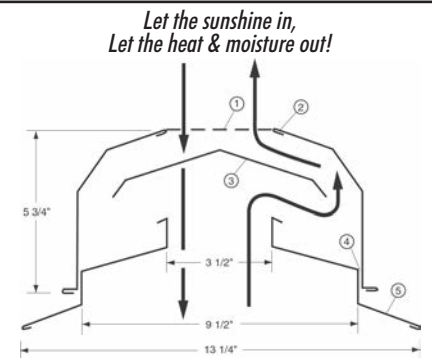


# RV35F

Ridg-Vent®

10' long low profile ventilator with clear fiberglass rain diverter

- 1 1/2" Galvanized Mesh
- 2 All Exposed Edges Hemmed
- 3 Clear Fiberglass Rain Diverter
- 4 Continuous Drainage Space
- 5 2" Nailing Flange



- Ideal for large attic or entire building ventilation such as horse, cattle or poultry buildings
- Clear fiberglass diverter lets sunshine in and keeps the elements out; fasteners through the fiberglass are slotted to allow expansion and contraction
- 3 1/2" unrestricted throat with 36 sq. inches of free area per lineal foot
- 13 1/4" overall coverage, with wider flanges available
- Rises only 4 1/2" above the ridge, all metal edges are hemmed for strength and easier handling
- Use in conjunction with an equal area of vented soffit material or louvers for maximum air flow (36 sq in per lineal foot, 2.5 sq ft per vent)
- Individually packaged with flashing included, same flashing used for individual or continuous runs

# RV400

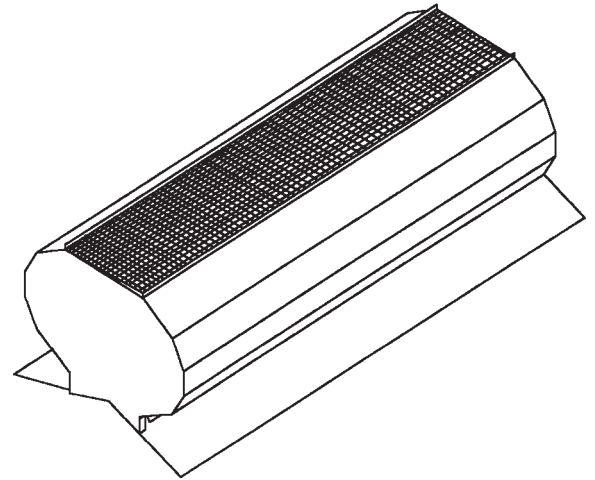
Ridg-Vent®

4' long high profile ventilator

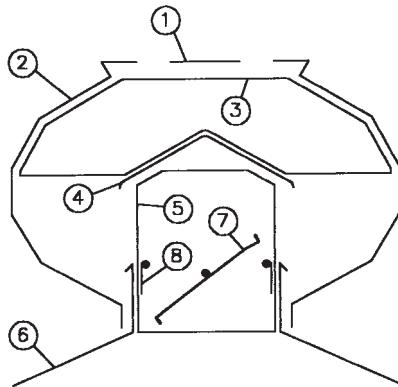
# RV900

Ridg-Vent®

10' long high profile ventilator



- 1 1/2" Bird Screen
- 2 Outer Band
- 3 Top Brace
- 4 Diverter
- 5 Lower Brace (900 only)
- 6 Lower Band
- 7 Damper (optional)  
10' cable included w/ damper
- 8 Weather Seal

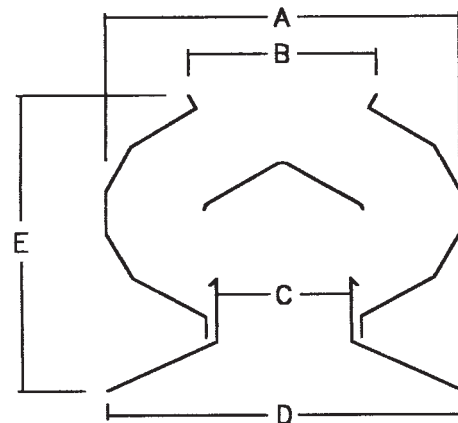


DAMPER RODS: 5/16" plated steel

RV400 weight:  
30 lbs. w/o Damper  
33 lbs w/ Damper

RV900 weight:  
78 lbs. w/o Damper  
85 lbs. w/ Damper

MODEL No.	THROAT SIZE	FREE AREA (SQ FT)	STACK HEIGHT	CFM @ 15° TEMP DIFF	CFM @ 20° TEMP DIFF	CFM @ 25° TEMP DIFF
RV-400	9.0"	3.0	10.0'	550	680	765
RV-400	9.0"	3.0	20.0'	750	960	1070
RV-400	9.0"	3.0	30.0'	900	1170	1330
RV-400	9.0"	3.0	40.0'	1085	1350	1510
RV-900	9.0"	7.50	10.0'	1380	1550	1700
RV-900	9.0"	7.50	20.0'	1890	2150	2380
RV-900	9.0"	7.50	30.0'	2250	2680	2962
RV-900	9.0"	7.50	40.0'	2710	3070	3350



MODEL	DIM. "A"	DIM. "B"	DIM. "C"	DIM. "D"	DIM. "E"	LENGTH
RV-400	21"	10"	9"	21"	13.25"	4' - 0"
RV-900	21"	10"	9"	21"	13.25"	10' - 0"

**DISTRIBUTED BY:**